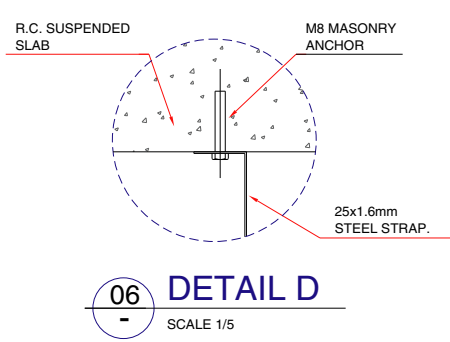
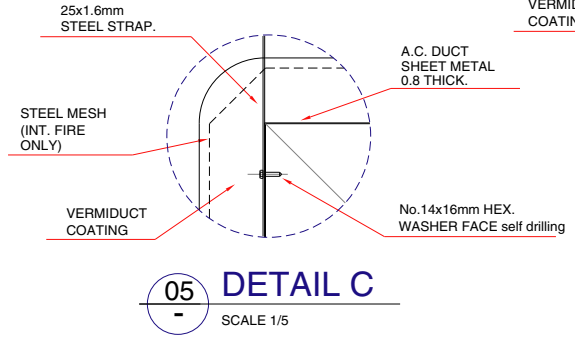


02 SECTION
SCALE 1/50

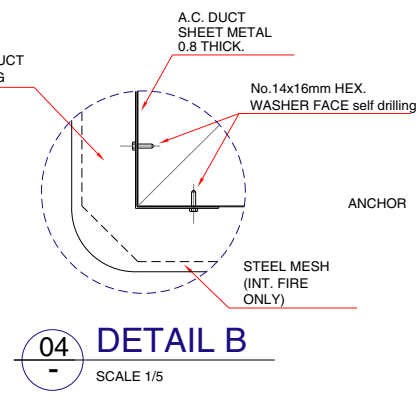
01 SIDE VIEW
SCALE 1/50



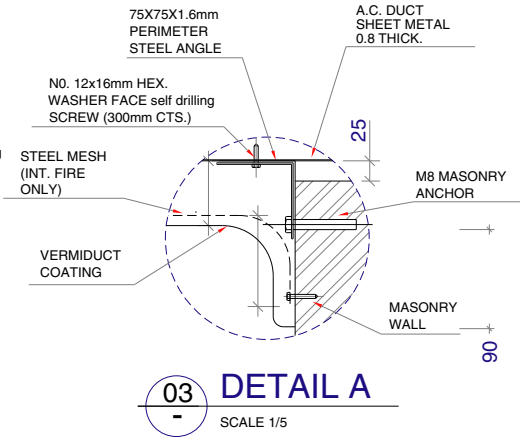
06 DETAIL D
SCALE 1/5



05 DETAIL C
SCALE 1/5



04 DETAIL B
SCALE 1/5



03 DETAIL A
SCALE 1/5

MINIMUM JOINT TYPE	CENTRES(mm)
25 mm DRIVE SLIP	2400
25 mm STANDING DRIVE SLIP	2400

DUCTWORK UP TO 300x300mm.

	PRJ.T.	JOB N.	AMENDS
	A.C. DUCT 300x300mm. - FIRE PROTECTION		
★ ★ ★ ★ ★	CLIENT	L. & A. Fazzini Manufacturing Pty Ltd	
	DWG. TITLE	DATE	DRAWN BY
SIDE VIEW, SECTION & DETAILS	17/03/98	G.A.	
	SCALE	DWG. N.	01