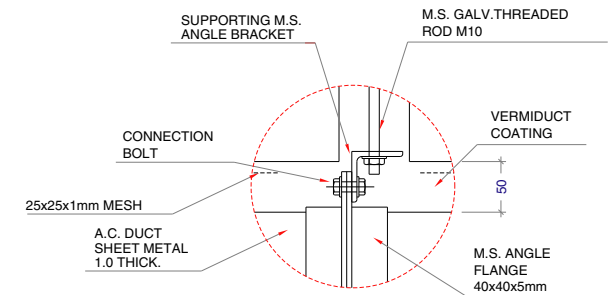
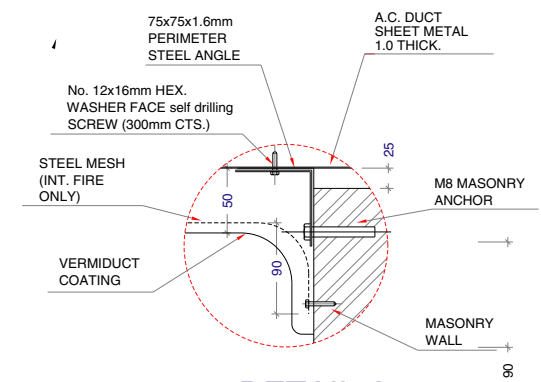


01 SIDE VIEW
SCALE 1/25




04 DETAIL B
SCALE 1/5



03 DETAIL A
SCALE 1/5

DUCTWORK UP TO 2400x2400mm.

 ★ ★ ★ ★ ★	PRJ. TITLE	JOB N.	AMENDS
	A.C. DUCT 2400x2400mm. - 2HRS. FIRE RATED		
DWG. TITLE	CLIENT	DATE	DRAWN BY
SIDE VIEW & DETAILS	L. & A. Fazzini Manufacturing Pty Ltd	17/03/98	A.G.
		SCALE	DWG. N.
		1/5/25	05-A