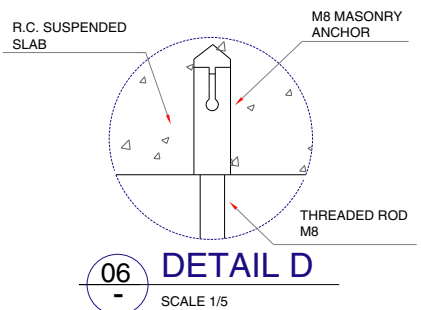
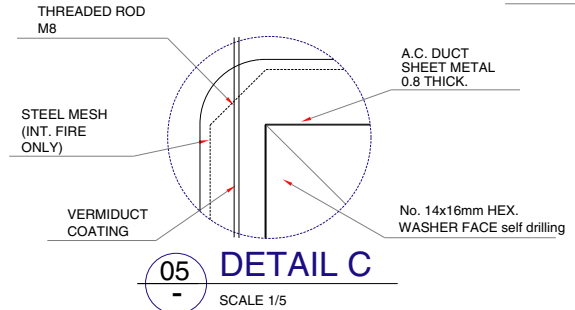


02 SECTION
SCALE 1/25

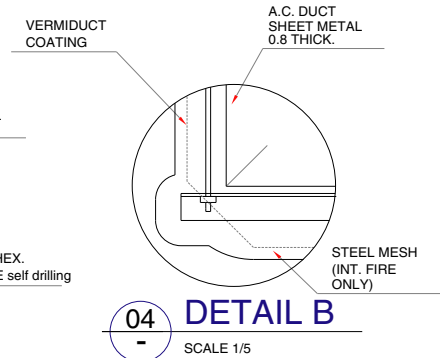
01 SIDE VIEW
SCALE 1/25



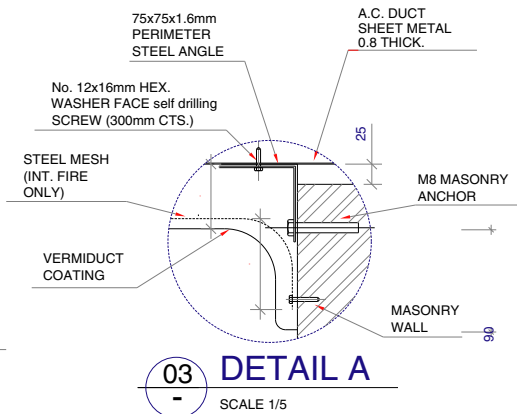
06 DETAIL D
SCALE 1/5



05 DETAIL C
SCALE 1/5



04 DETAIL B
SCALE 1/5



03 DETAIL A
SCALE 1/5

DUCTWORK UP TO 1600x1600mm.

MINIMUM JOINT TYPE	CENTRES(mm)
120 L MEZ	1520
35mm. TDF	1420

	PRJ: A.C. DUCT 1600x1600mm. - 2HRS. FIRE RATED	JOB N.	AMEND'S
	CLIENT L. & A. Fazzini Manufacturing Pty Ltd	DATE 17/03/98	DRAWN BY G.A.
DWG. TITLE SIDE VIEW, SECTION & DETAILS	SCALE	DWG. N.	04